

# Ring Pump®

## 2S Series



### Features

- Biggest flow rate pump among our lineup.  
Double flow rate pump of RP-S for it combines two RP-S pump.

### Examples of application

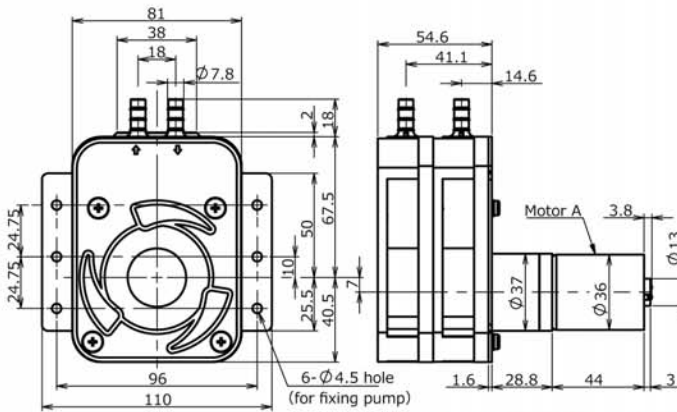
Automatic washing machine  
Automatic cup coffee vender  
Floor washer, Hand washer  
Applications for detergent supply etc.

### Main specifications

Flow rate (mL/min) ※	1000 1400 1600
Tubing	Norprene/PharMed/TM-15
Motor/Power source	DC24V
Material of main parts	Base:NBR Cover:PP
Weight (for reference)	Approx. 900g

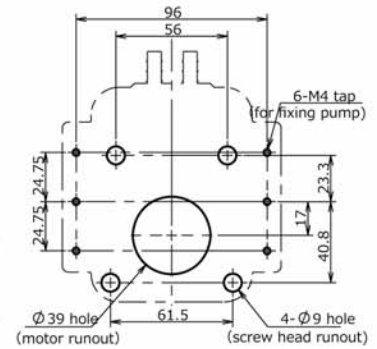
※ Flow rate is adjusted by selection of motor and inner diameter of tubing.

### [Outline view]



Flow direction (IN/OUT) is marked on the product.

### [Mounting plate view]

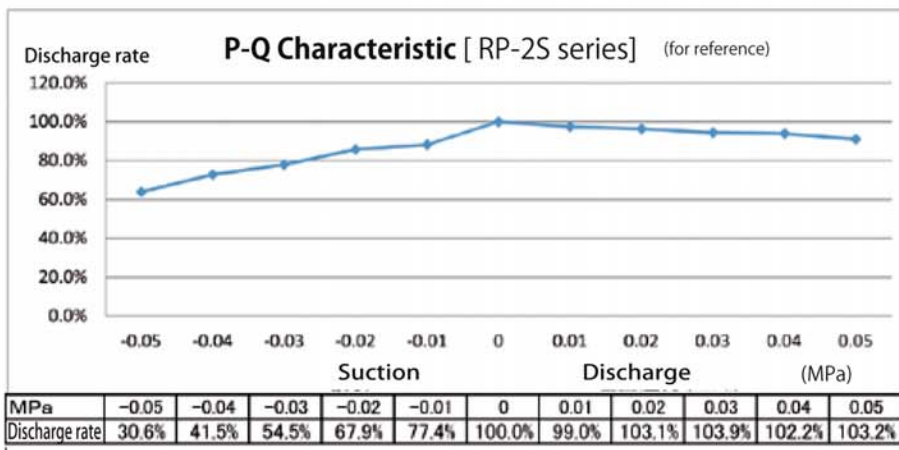


Be sure that the motor shaft position is horizontal.

### Model Lineup

Model Lineup	Voltage (DC/V)	Flow rate (mL)		Tubing		Remarks	
		/min	/rotation	Type	ID/OD (mm)	※ L Measure	Motor Rotation
RP-2S06N-1000Z-DC24V	24	1000	5.4	Norprene (N)	6.35x9.52	28.8	CW
RP-2S06F-1000Z-DC24V	24	1000	5.4	PharMed (F)	6.35x9.52	28.8	CW
RP-2S06W-1000Z-DC24V	24	1000	5.4	TM-15 (W)	6.35x9.52	28.8	CW
RP-2S06N-1400Z-DC24V	24	1400	5.4	Norprene (N)	6.35x9.52	26.3	CW
RP-2S06F-1400Z-DC24V	24	1400	5.4	PharMed (F)	6.35x9.52	26.3	CW
RP-2S07W-1600Z-DC24V	24	1600	5.4	TM-15 (W)	7.0x10.0	26.3	CW

PharMed/Norprene: product of Saint-Gobain SA  
TM-15: product of Mitsubishi Co. Ltd.



※ Variable by material or ID of tubing.